

**FEATURES** Lithium Iron Phosphate (LiFePO<sub>4</sub>): the Safest Lithium Technology.

Integrated Battery Management System(BMS).  
Bluetooth/Heater/LCD Indicator(Optional).

**PERFORMANCE** Long Cycle Life>4000cycles @80% DOD.

High Density, High Discharge Current,  
High Temperature Range.Low Weight,  
Free Maintenance.  
Fast Charging.  
Environment Friendly.



CP1212(12.8V12Ah)

## BATTERY DATA SHEET

### Electrical Parameters

Nominal Voltage	12.8V
Rated Capacity	12Ah
Energy	154Wh
Resistance	≤30m Ω
Efficiency	99%
Cycle Life	>4000cycles @0.2C,80% DOD
Self Discharge	3% per Month
Max. Modules in Series/Parallel	4S/4P

### Mechanical Parameters

Dimension(L x W x H)	151 x 99 x 99mm
	5.9 x 3.9 x 3.9"
Weight	1.6 kg(3.5 lbs)
Terminal Type	M8
Battery Housing	ABS
Housing Protection	IP66
Cell Type-Chemistry	LiFePO <sub>4</sub> Cylindrical Cell
SOC Display(Optional)	LCD Indicator

### Discharge Parameters

Continuous Discharge Current	12A
Pulse Discharge Current	24A(5 seconds)
Recommended Volt. Disconnect	11V
BMS Discharge Cut-off Voltage	8V
Reconnect Voltage	9.2V
Short Circuit Protection	200~600 us

### Charge Parameters

Charge Method	CC-CV
Charge Voltage	14.4~14.8V
Recommended Float Voltage	13.8V
Recommended Charge Current	2A
Maximum Charge Current	5A
BMS Charge Cut-off Voltage	15.6V

### Compliance Certificate

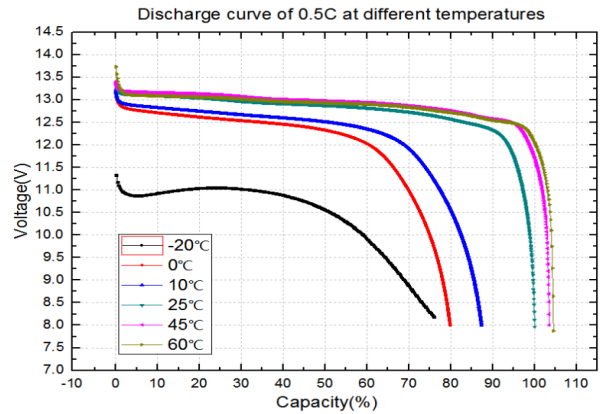
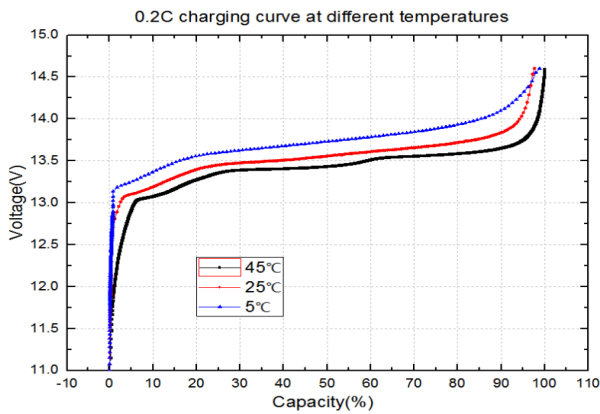
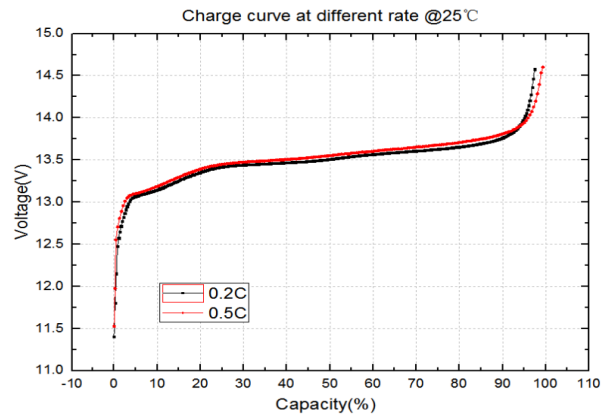
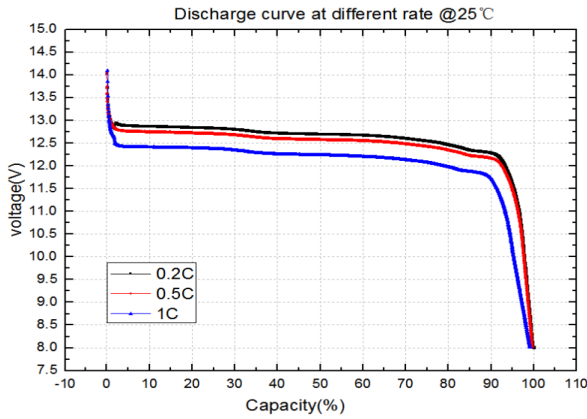
Certifications	UL1642(Cell)
	CE
	IEC62133 & CB
	MSDS
	TÜV
Shipping Classification	UN3480, Class 9, UN38.3

### Temperature Parameters

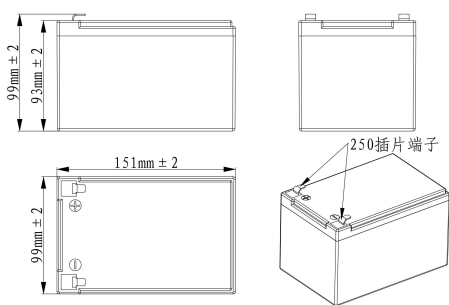
Discharge Temperature	-20 to 60°C ( -4 to 140 °F)
Charge Temperature	5 to 45°C (41 to 113°F)
Storage Temperature	-40 to 60°C(-40 to 140°F)
BMS High Temperature Cut-off	80°C(176°F)



## Performance Characteristics



## Battery Dimension



## Battery Recycle



**NOTE:** Do Not Mix With Sealed Lead Acid Batteries When Recycling.

2021, Center Power Technology Co., Ltd. All Rights Reserved.

## Battery Applications

- + Data Center UPS
- + Telecom Backup Power
- + Military Power Supply
- + Solar Energy Storage System
- + Solar Street LED Lightings
- + Autonomously Guided Vehicles (AGVs)
- + Industrial Robotics & Handling Equipment
- + Aerial Work Platform
- + Floor Cleaning Machines
- + Power Tools, Lawn Mower
- + Electric Bike & Motorcycles
- + Electric Mobilities (E-scooters, Wheelchair)
- + Golf Trolley & Golf Carts
- + Medical Devices
- + Electric Ships
- + Passenger Vehicles